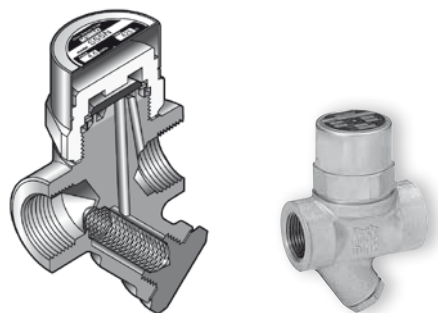
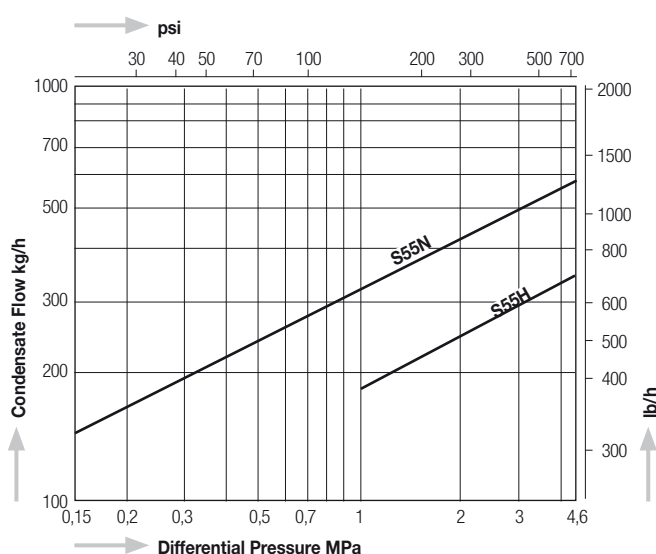


S55N, S55H

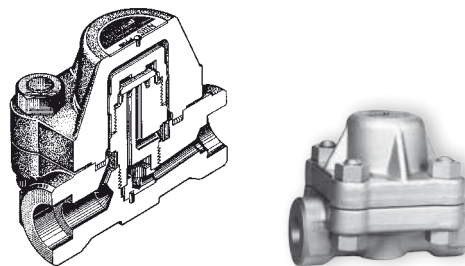


Special face-to-face dimensions available.

Capacity Chart S55N, S55H

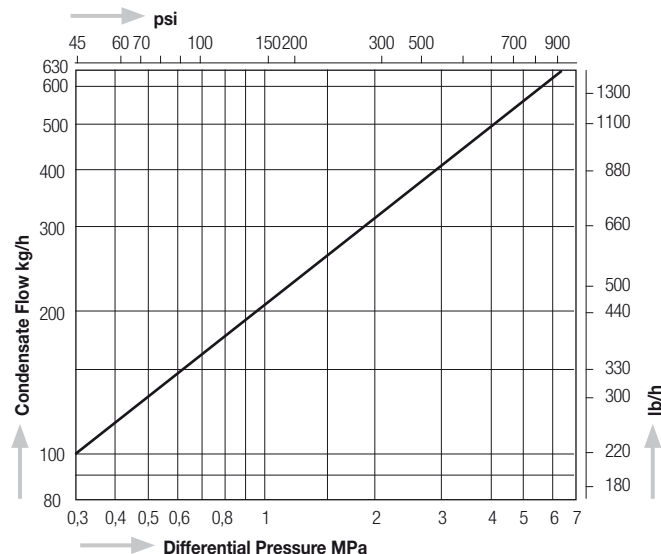


S61N, S62N



Special face-to-face dimensions available.

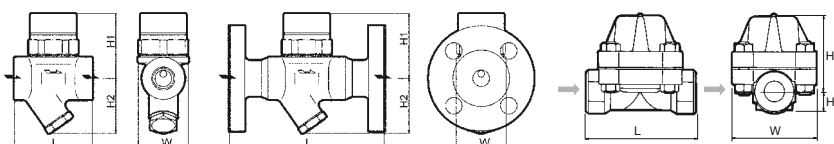
Capacity Chart S61N, S62N



Dimensions S55N, S55H S55NF, S55HF

S61N, S62N

Table 1: Dimensions L and Weight



Model	Size (in)	ASME Class 600		JIS 63 K Class 900		DIN PN63, PN100		Weight	
		mm	in	mm	in	mm	in	kg	lb
S61NF S62NF	1/2"	200	7.9	220	8.7	210	8.3	9,2	20.2
	3/4"	210	8.3	230	9.1	230	9.1	10,5	23.1
	1"	240	9.5	240	9.4	230	9.1	11,2	24.6

Model	Connections	Size (in)	Operating Pressure Range		Max. Operating Temperature		Dimensions (mm)				Dimensions (in)				Body Material	Weight	
			MPa	psig	°C	°F	L	H1	H2	W	L	H1	H2	W		kg	lb
S55N (S55H)	Screwed Rc, NPT	1/2"	0,15 – 4,6 (1,0 – 4,6)	22 – 667 (145 – 667)	425	800	70	59	50	45	2.8	2.3	2.0	1.8	Forged Steel A105	0,8	1.8
		3/4"					75	63	54	3.0	2.5	2.1	1.8	0,8		1.8	
		1"					140	5.5	2.1	1.8	1,2	2.6					
S55NF (S55HF)	Flanged* JIS, ASME, DIN	1/2"					165	59	50	45	6.5	2.3	2.0	1.8		2,9	6.4
		3/4"					175	6.9	2.3	2.0	1.8	3,8	8.4				
		1"					5,3	11.7									
S55NW (S55HW)	Socket Weld ASME, DIN	1/2"	70	59	50	45	2.8	2.3	2.0	1.8	0,8	1.8					
		3/4"	75	63	54	3.0	2.5	2.1	1.8	0,8	1.8						
		1"	1,2	2.6													
S61N (S62N)	Screwed Rc, NPT	1/2"	0,30 – 6,4	44 – 930	425 (S62N: 475)	800 (S62N: 887)	130	90	25	100	5.1	3.5	1.0	3.9	Forged Steel A105 (S62N: A182F22)	5,0	11.0
3/4"	Table 1	90					25	100	Table 1	3.5	1.0	3.9	Table 1	Table 1			
1"																	
S61NF (S62NF)	Flanged JIS, ASME, DIN	1/2"	0,30 – 6,4	44 – 930	425 (S62N: 475)	800 (S62N: 887)	Table 1	90	25	100	Table 1	3.5	1.0	3.9	Table 1	Table 1	
S61NW (S62NW)	Socket Weld ASME, DIN	3/4"															
		1"															

*DIN – Face-to-face dimensions also available.