

# Flow-Tek®

A Subsidiary of BRAY INTERNATIONAL, Inc.

## SRH Series Spring Return Handle (Deadman Handle) For use with compatible ¼" – 2" Ball Valves



Flow-Tek's SRH Series Spring Return (Deadman) Handles are manufactured from heavy duty SS components to withstand frequent daily use in refueling, sampling, drains, and other OSHA applications that require positive closure of a manual valve. Each SRH Handle has a locking device as standard to lock the valve in the preferred position. The SRH Handle is available in three sizes that mount directly to the rugged investment cast ISO 5211 mounting pads on compatible Flow-Tek full or standard port industrial ball valves.

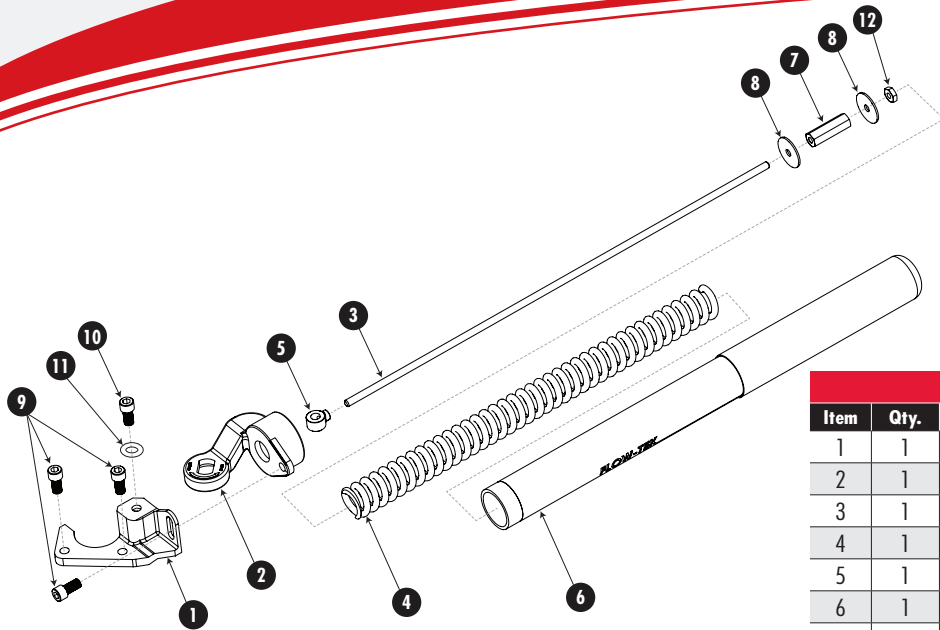
All compatible Flow-Tek valves utilize live loaded packing which provides longer periods between packing adjustment and maintenance, reducing the need to remove the SRH handle for valve maintenance.

Each SRH Handle can be easily retrofitted on existing Flow-Tek lever operated ball valves provided one follows the compatibility chart shown on page 2.

# SRH Series Spring Return Handle

## (Deadman Handle)

For use with compatible 1/4" – 2" Ball Valves



Spring Return Handle Model #	Handle Length	Handle Weight (lbs)
SRH1	9"	1.05
SRH2	13.38"	3
SRH3	19.125"	5.7

Parts List			
Item	Qty.	Description	Material
1	1	Base Plate	CF8M
2	1	Handle Body	CF8M
3	1	Spring Rod, M6	Stainless Steel 304
4	1	Spring	Carbon Steel Music Wire
5	1	Rod Clevis	CF8M
6	1	Handle	Stainless Steel
7	1	Spring Nut, M6 x .38"	Stainless Steel 304
8	2	Spring Washer 5/16 x 27 x 1.5"	Stainless Steel 304
9	3	Hex Cap Screw 5/16 x 18 x 3/4"	Stainless Steel 304
10	1	Hex Cap Screw M8 x 20mm	Stainless Steel 304
11	1	8mm Lock Washer	Stainless Steel 304
12	1	M6 Hex Nut	Stainless Steel 304

### VALVE MODEL F15

Size	Spring Return Handle SRH #
1"	2
1 1/2"	3
2"	3

### VALVE MODEL RF15/RF30

Size	Spring Return Handle SRH #	
1"	1	Handle mounted one side only (lock on the insert side)
1 1/2"	2	Handle mounted one side only (lock on the insert side)
2"	3	Handle mounted one side only (lock on the insert side)

### VALVE MODEL 7000/8000

Size	Spring Return Handle SRH #
1/4"	1
3/8"	1
1/2"	1
3/4"	1
1"	2
1 1/4"	2
1 1/2"	3
2"	3

### VALVE MODEL TRIAD FP

Size	Spring Return Handle SRH #
1/4"	1
3/8"	1
1/2"	1
3/4"	1
1"	3
1 1/4"	3

### VALVE MODEL F30

Size	Spring Return Handle SRH #	
1/2"	1	Handle mounted one side only (lock on the cap side)
3/4"	1	Handle mounted one side only (lock on the cap side)
1"	2	Handle mounted one side only (lock on the cap side)
1 1/2"	3	Handle mounted one side only (lock on the cap side)
2"	3	

### VALVE MODEL S85

Size	Spring Return Handle SRH #
1/2"	1
3/4"	1
1"	2
1 1/4"	2
1 1/2"	3
2"	3

### VALVE MODEL TRIAD SP

Size	Spring Return Handle SRH #
3/4"	1
1"	1
1 1/4"	3
1 1/2"	3

All statements, technical information, and recommendations in this bulletin are for general use only. Consult Flow-Tek representatives or factory for the specific requirements and material selection for your intended application. The right to change or modify product design or product without prior notice is reserved.

Flow-Tek® is a registered trademark of Flow-Tek, Inc.  
© 2013 Flow-Tek, Inc. All rights reserved.

F-XXXX\_EN\_SHR\_2013-01

# Flow-Tek®

A Subsidiary of BRAY INTERNATIONAL, Inc.  
8323 N. Eldridge Pkwy #100 Houston, Texas 77041  
832.912.2300 Fax: 832.912.2301 www.flow-tek.com